

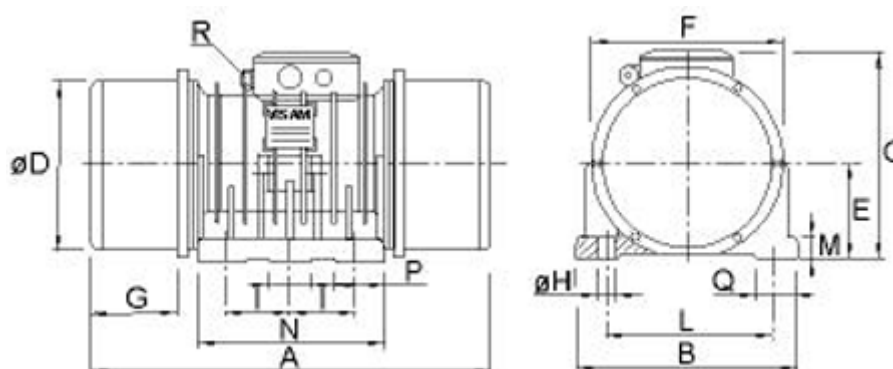
# Data Sheet



Article number: 310101570006100

Description: Vibrator motor SPV 50.0 C 1020kgcm  
1000 o/m 5700kg 4,2kW 3x230-400V 50hz

## Measures



|         |                         |
|---------|-------------------------|
| A = 740 | L = 310                 |
| B = 390 | M = 41                  |
| C = 392 | N = 350                 |
| d = 345 | Number H = 6            |
| E = 193 | P = 110                 |
| G = 163 | Q = 90                  |
| H = 29  | R = M25x1,5 + M16x1,5TH |
| I = 110 |                         |